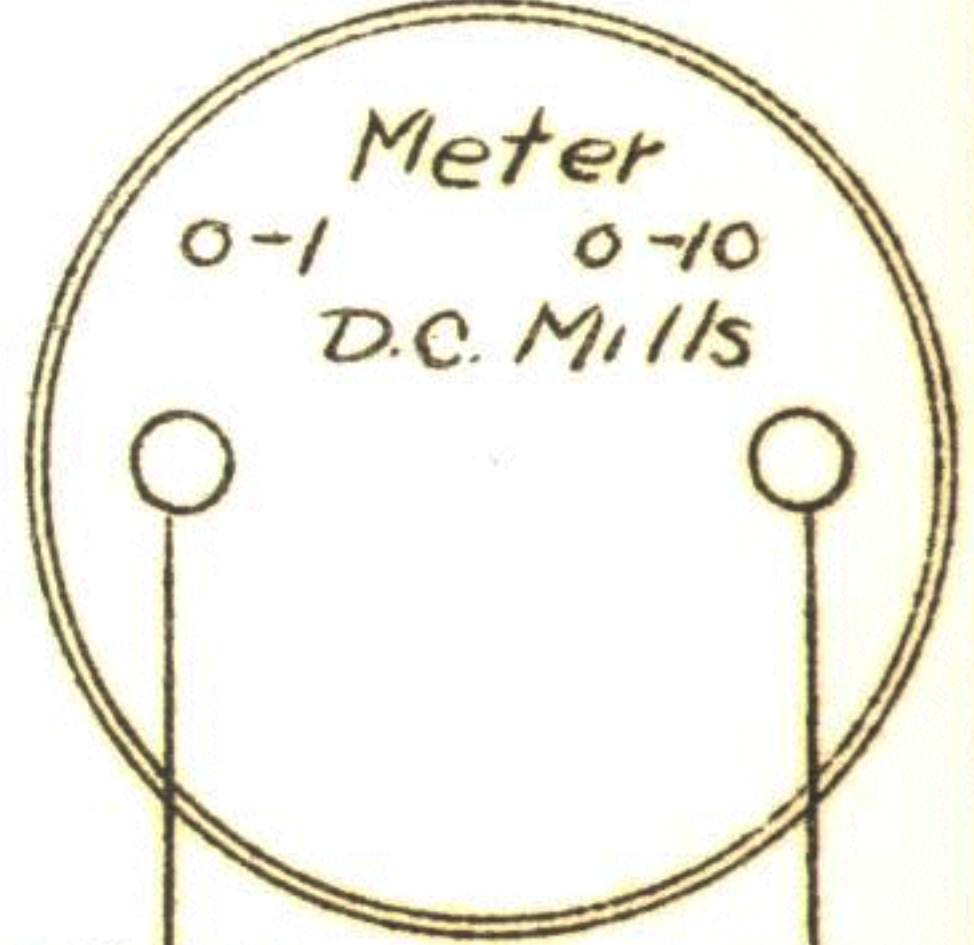
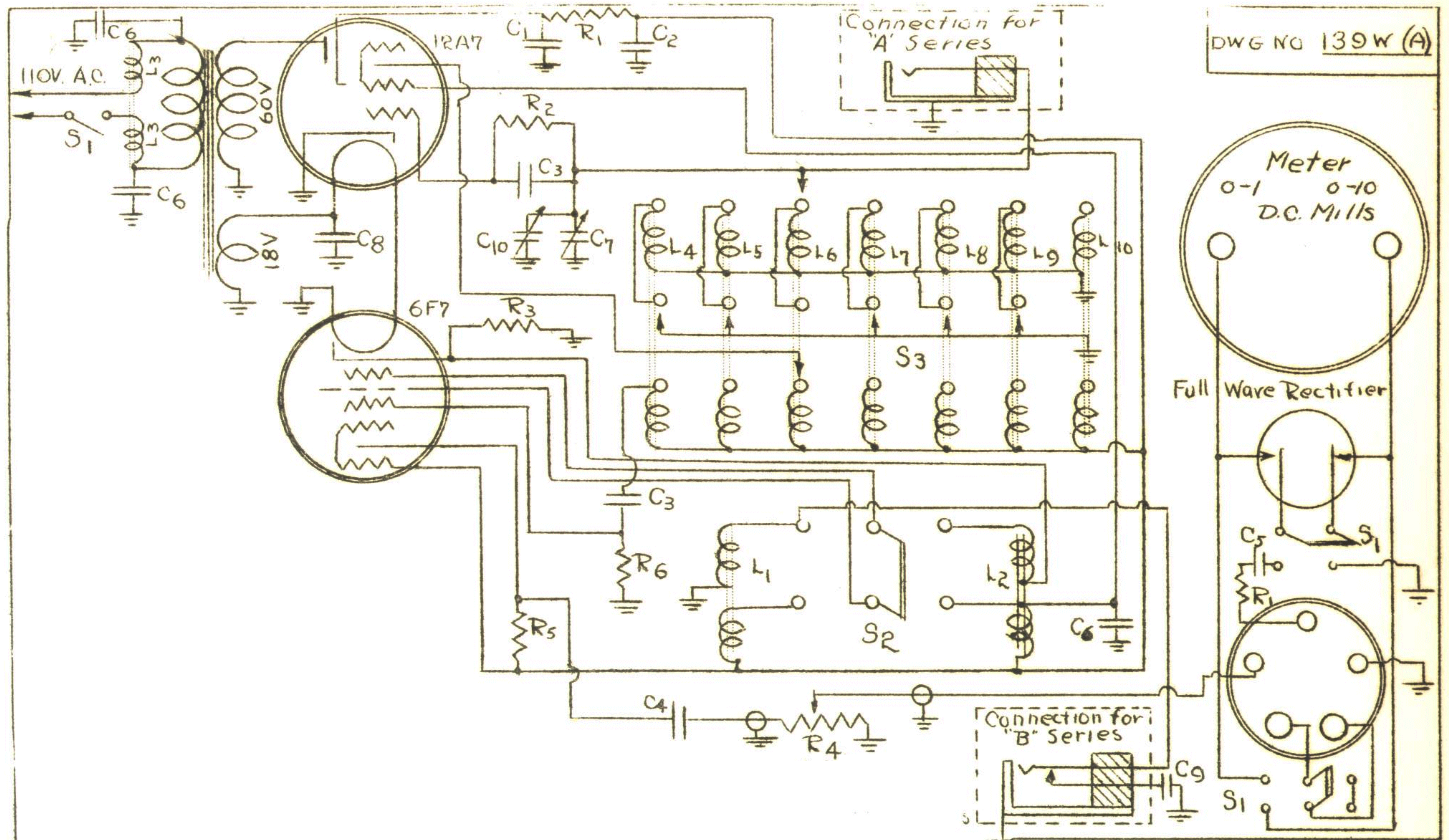
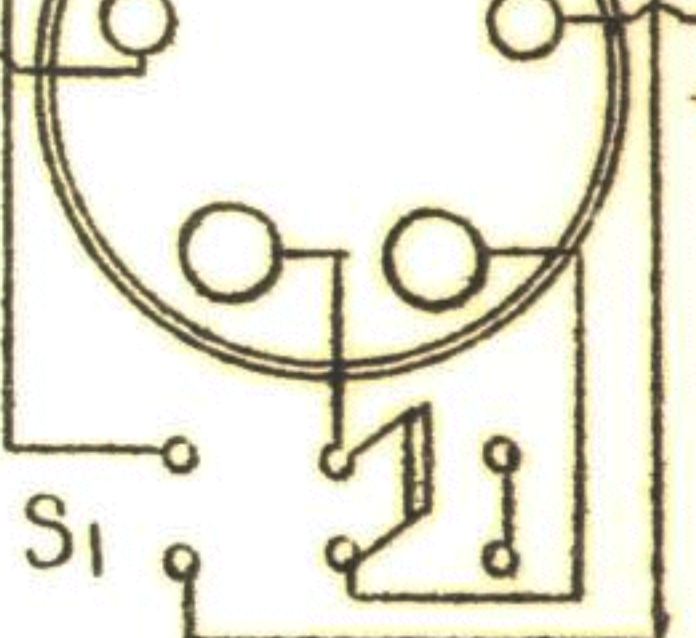
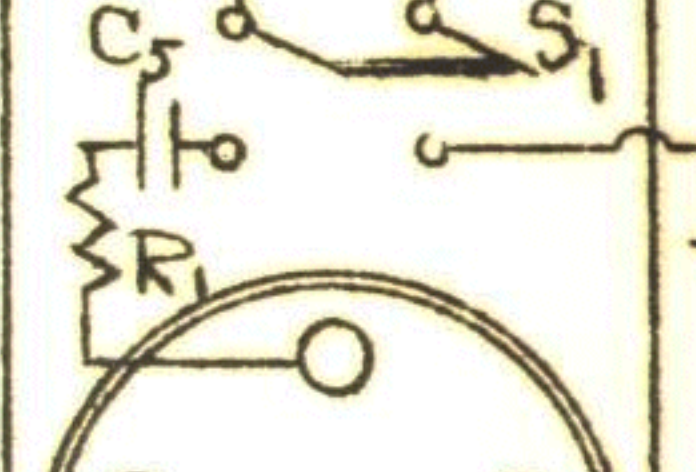
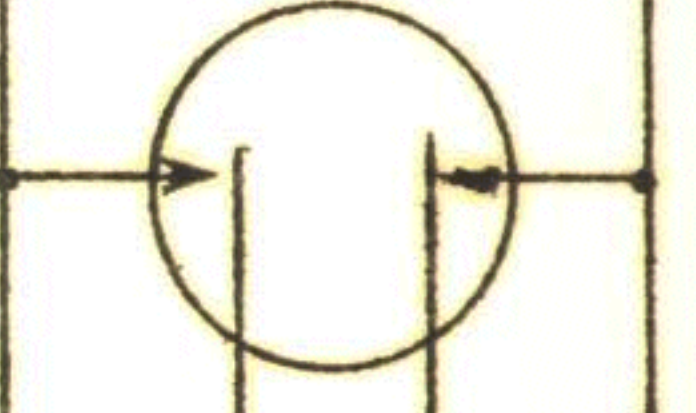


DWG NO 139W (A)



Full Wave Rectifier



THE HICKOK ELECTRICAL INST CO
CLEVELAND, OHIO

DR BY M.M.
CH'K'D BY

SCALE
DATE 12-31-35

DWG NO 139W (A)

OSCILLATOR OS7 SCHEMATIC WIRING

This Document Provided Free

At

www.StevenJohnson.com

NOT FOR RESALE