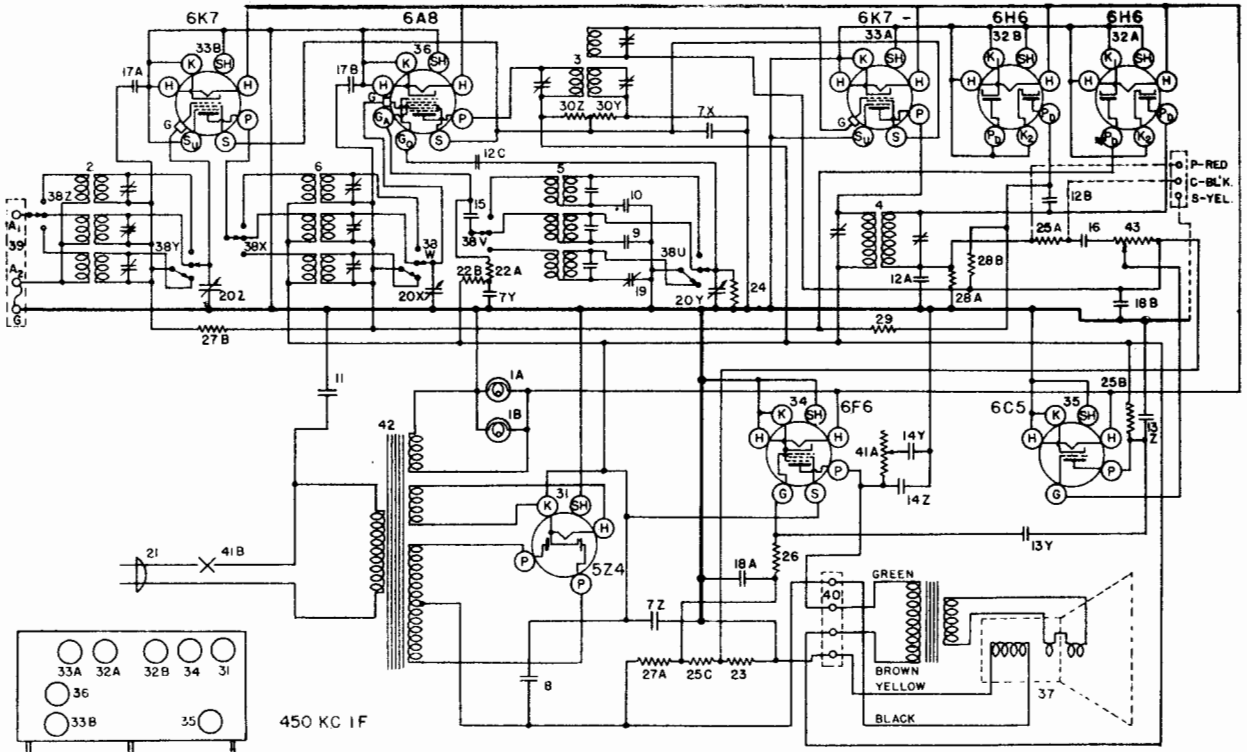


MANUAL OF MOST-OFTEN-NEEDED RADIO DIAGRAMS

PARTS LIST—MODEL 855

Figures in first column refer to parts shown in diagrams.

Item No.	Part No.	Description	Item No.	Part No.	Description
1A	G4	Dial Light Socket Asm.	21	B	Cord & Plug
1B	G4	Dial Light Socket Asm.	22A	—21876	Resistor, 10,000 Ohms
2	G74	Ant. Coil. Asm. Complete	22B	—21876	Resistor, 10,000 Ohms
	G46	Ant. Coil. S. W. Band	23	—22196	Resistor, 20,000 Ohms
	G73	Ant. Coil. Police Band	24	—21875	Resistor, 100,000 Ohms
	G44	Ant. Coil. Broadcast Band	25A	—23403	Resistor, 150,000 Ohms
	G6	Coil Support Base	25B	—23403	Resistor, 150,000 Ohms
	W	Trimmer Condenser Asm.	25C	—23403	Resistor, 150,000 Ohms
	G4	Coil Shield	26	—21455	Resistor, 300,000 Ohms
3	G64	1st I. F. Trans.	27A	—23785	Resistor, 500,000 Ohms
	G85	2nd I. F. Trans.	27B	—23785	Resistor, 500,000 Ohms
4	G42	Osc. Coil. Asm. Complete	28A	—21454	Resistor, 1 Megohm
5	G38	Osc. Coil. S. W. Band	28B	—21454	Resistor, 1 Megohm
	G36	Osc. Coil. B. C. Band	29	—26577	Resistor, 3 Megohm
	G37	Osc. Coil. P. Band	30Y	W	Resistor, 8,500 Ohms
	G7	Coil Support Base	30Y	W	Resistor, 25,000 Ohms
	W	Trimmer Condenser Asm.	31	G154	Socket, 5Z4
	G5	Coil Shield	32A	G155	Socket, 6H8
6	G51	R. F. Coil. Asm. Complete	32B	G155	Socket, 6H6
	G45	R. F. Coil. S. W. Band	33A	G151	Socket, 6K7
	G46	R. F. Coil. P. Band	33B	G151	Socket, 6K7
	G54	R. F. Coil. B. C. Band	34	G153	Socket, 6F6
	G6	Coil Support Base	35	G152	Socket, 8C5
	W	Trimmer Condenser Asm.	36	MG45	Socket, 8A8 (Cushion)
	G4	Coil Shield	36	W	Socket only
			W	—33072	Socket Cushion only
7Z	W	Condenser, 8 mfd. 450 V.	37	W	Socket Plate only
7Y	W	Condenser, 4 mfd. 350 V.		318BL	Speaker, (Table Model)
7X	W	Condenser, 4 mfd. 250 V.		518CL	Speaker, (Console Model)
8	W	Condenser, 35 mfd. 400 V.	38Z	—36058B	Band Change Switch
9	G7	Condenser, .00145 mfd.	To		
10	G12	Condenser, .004725 mfd.	38U		
11	W	Condenser, .01 mfd. 400 V.	39		
12A	G2	Condenser, 100 mmf.	40	G27	Ant. Grd. Terminal
12B	G2	Condenser, 100 mmf.		G5	Speaker Terminal
12C	G2	Condenser, 100 mmf.		W	Speaker Term. Cover Insulator
13Z	W	Condenser, 0.001 mfd. 400 V.		W	Speaker Terminal Cover
13Y	W	Condenser, 0.03 mfd. 400 V.		G28	Phono. Pickup Terminal Board
14Z	W	Condenser, 0.004 mfd. 400 V.			(25 cy sets)
14Y	W	Condenser, 0.05 mfd. 400 V.	41A	—36062	Tone Control
15	W	Condenser, 0.01 mfd. 400 V.	41B	G6	On-Off Switch
16	W	Condenser, 0.01 mfd. 400 V.	42	G7	Power Trans. 110 V. 60 Cy.
17A	W	Condenser, 0.02 mfd. 200 V.		G8	Power Trans. 110 V. 25 Cy.
17B	W	Condenser, 0.02 mfd. 200 V.		G7	Power Trans. 220 V. 25 Cy.
18A	W	Condenser, 1.0 mfd. 160 V.		W	Volume Control, 1 Megohm
18B	W	Condenser, 1.0 mfd. 160 V.	43	W	Knob (Pointer Notch)
19	G10	Condenser, Trim. (Osc. B. C. Bd)		W	Knob
20Z	G33	Var. Tuning Condenser Gang		W	Knob (Tail)
20X				W	Knob (2)
	MG21	Dial Drive Asm.		B	Escutcheon
	C	Dial		W	Escutcheon Gasket
	W	Dial Hand		W	Escutcheon Indicator
	W	Dial Hand Nut		W	Band Change Plate
	W			W	Tone Control Plate



WIRING DIAGRAM—MODEL 855

Steve's Antiques and Collectables

www.StevenJohnson.com

Vintage Technology, Tube Radios and Test Equipment, Schematics and Publications

Thousands of vintage vacuum tube radio schematics, hundreds of manufacturers