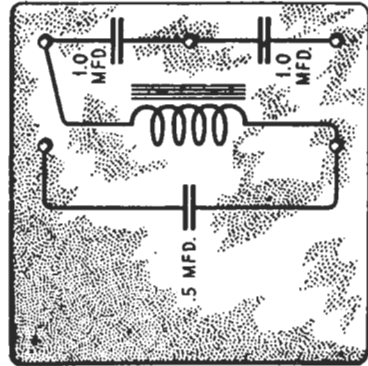
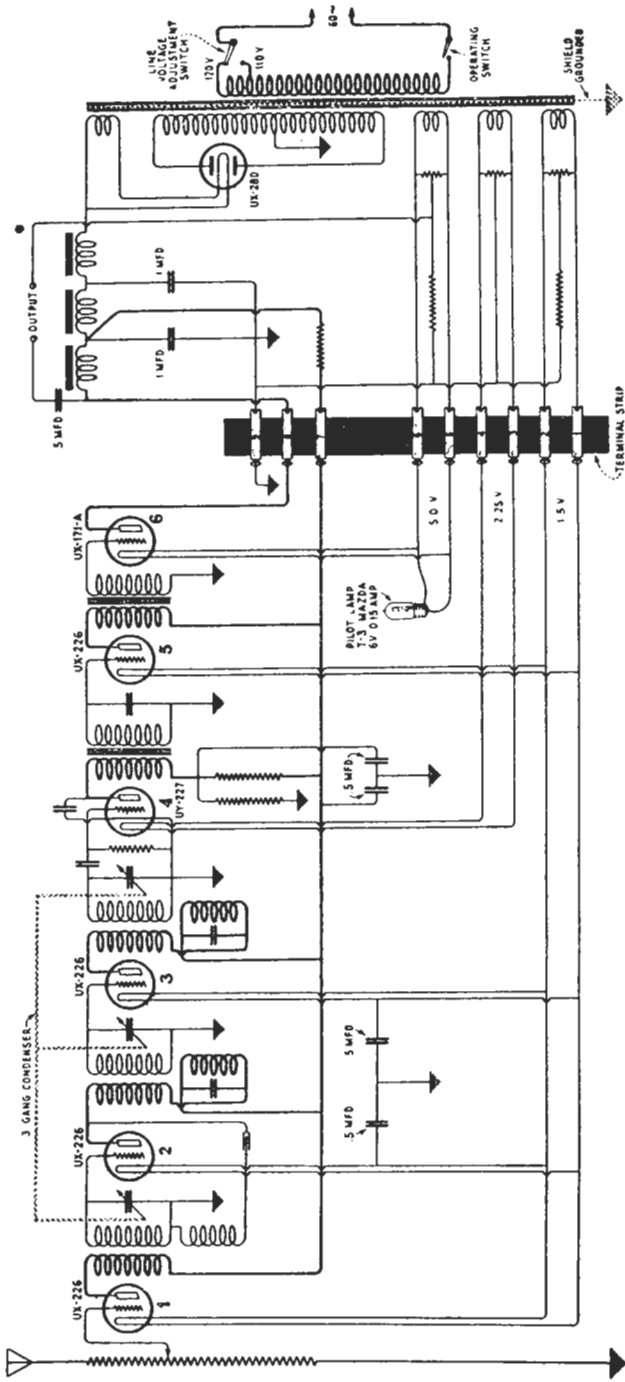
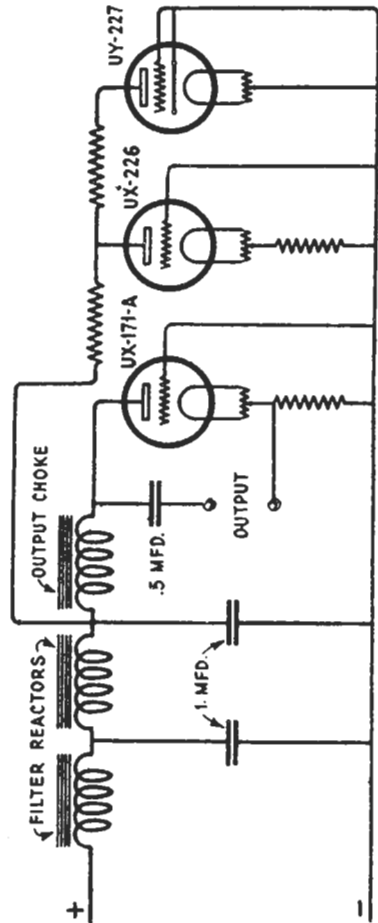


RCA RADIOLA 18

(105-125 Volts, 50-60 Cycle A.C.)



Internal connections of condensers.



Schematic circuit illustrating method of obtaining grid and plate voltages.