

FOR PHONO. DATA, SEE INDEX

I.F. - FREQUENCY 456 K.C.
7 TUBE SUPERHETERODYNE
3 BAND

CHASSIS NO. 5709
Models 7-S-204, 7-S-232, 7-S-240, 7-S-242,
7-S-258, 7-S-260, 7-S-261

ZENITH RADIO CORP.
CHICAGO, ILLINOIS

DIAG. PART NO.	DESCRIPTION
C21	22-604 10 MFD CERAMIC
R16	63-383 1000 OHMS 1/4 W ± 20%

SPEAKERS	MODELS
49 - 203	6' 7-S-232
49 - 206	6' 7-S-240
49 - 206	6' 7-S-242
49 - 181	10' 7-S-258
49 - 195	12' 7-S-260
49 - 195	12' 7-S-261

DIAG. PART NO.	DESCRIPTION
R 1	63-593 47M OHMS 1/4 W ± 20%
R 2	63-587 4700 OHMS 1/4 W ± 20%
R 3	63-620 10M OHMS 1/4 W ± 20%
R 4	63-677 33M OHMS 1/4 W ± 20%
R 5	63-605 1000 OHMS 1/4 W ± 20%
R 6	63-271 1 MEG OHMS 1/4 W ± 20%
R 7	63-658 3900M OHMS 1/4 W ± 20%
R 8	63-294 220M OHMS 1/4 W ± 20%
R 9	63-597 470M OHMS 1/4 W ± 20%
R 10	63-325 150M OHMS 1/4 W ± 20%
R 11	63-613 15M OHMS 1/4 W ± 20%
R 12	63-608 15M OHMS 1/4 W ± 20%
R 13	63-611 22M OHMS 1/4 W ± 20%
R 14	63-609 22M OHMS 1/4 W ± 20%
R 15	63-608 22M OHMS 1/4 W ± 20%

DIAG. PART NO.	DESCRIPTION
A	1ST I.F. TRANS. PRIMARY
B	2ND I.F. TRANS. SECONDARY
C	2ND I.F. TRANS. PRIMARY
D	3RD I.F. TRANS. SECONDARY
F	BROADCAST OSCILLATOR (SEE NOTE)
G	DETECTOR BROADCAST (ON GANG)
H	ANTENNA BROADCAST (ON GANG)
J	#2-519 BROADCAST PADDER
K	SHORT WAVE OSCILLATOR (SEE NOTE)
L	SHORT WAVE DETECTOR (SEE NOTE)
N	POLICE BAND OSCILLATOR (SEE NOTE)

DIAG. PART NO.	DESCRIPTION
C 1	22-546 THREE GANG VARIABLE
C 2	22-487 .05 MFD 400 V.
C 3	22-556 DUAL FIXED PADDER
C 4	22-127 25 M MFD
C 5	22-170 .1 MFD
C 6	22-356 .002 MFD
C 7	22-212 .05 MFD
C 8	22-162 .0001 MFD
C 9	22-327 .02 MFD
C 10	22-192 .00025 MFD
C 11	22-187 .0005 MFD
C 12	22-165 .01 MFD
C 13	22-326 .003 MFD
C 14	22-430 .02 MFD
C 15	22-455 .02 MFD
C 16	22-627 .002 MFD
C 17	22-589 12 MFD ELECTROLYTIC 450 V.
C 18	22-562 2 MFD
C 19	22-446 .004 MFD
C 20	3-4780 ANTENNA COIL ASSEMBLY
2	3-5054 DETECTOR CON. & SHIELD ASSEM.
3	S-4969 OSCILLATOR COIL & SHIELD ASSEM.
4	95-416 1ST I.F. TRANS
5	65-110 2ND I.F. TRANS
6	65-108 3RD I.F. TRANS
7	85-638 TONE CONTROL SWITCH
8	95-418 POWER TRANS - 117V 50-000V
9	95-418 POWER TRANS - ALL VOLTAGE 250V
10	95-418 SPEAKER TRANS - FORMER

NOTE: TRIMMERS F, K, L, & N MOUNTED ON DAKELITE STRIP #22-549

MODELS 7S204, 7S232, 7S240
7S242, 7S258, 7S260
7S261

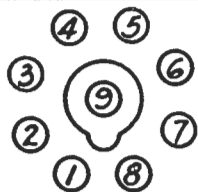
ZENITH RADIO CORP.

Chassis 5709

Voltage, Alignment, Socket
Trimmers

SOCKET VOLTAGES

Tube	Position	1	2	3	4	5	6	7	8	9
6A8	Converter Osc.	0	6.4	255	89	-10	182	0	0	-2
6K7	I.F.	0	6.4	243	89	0	—	0	0	-2
6H6	2nd Det. A.V.C.	0	0	-2	-2	-2	—	6.4	-2	—
6F5	1st Audio	0	0	—	117	—	—	6.4	-1.5	-1.5
6F6	Power	0	0	243	255	-2	—	6.4	-2	—
5Y4	Rect.	0	—	AC	—	AC	—	328	328	—
		H	Ep	Eg	Et	Ek	H			
6T5	Target	0	16	-2	255	-2	6.4			



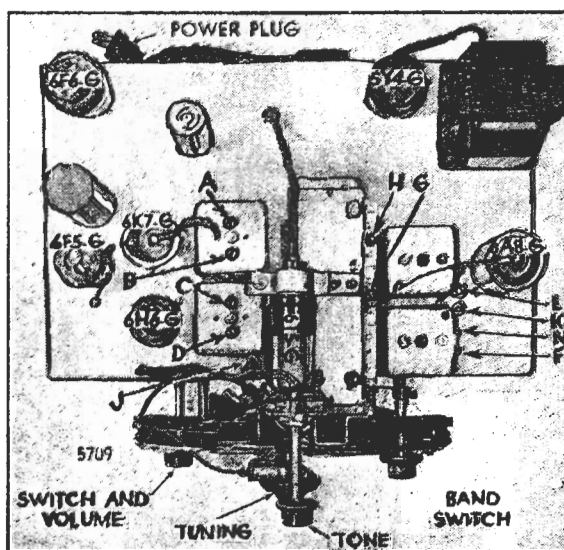
All voltages measured from point indicated to ground using a 1000 Ohm per Volt meter, antenna and ground disconnected. Line voltage 117V. Consumption 75W. Power output 4.5W.

BOTTOM VIEW
OF SOCKET

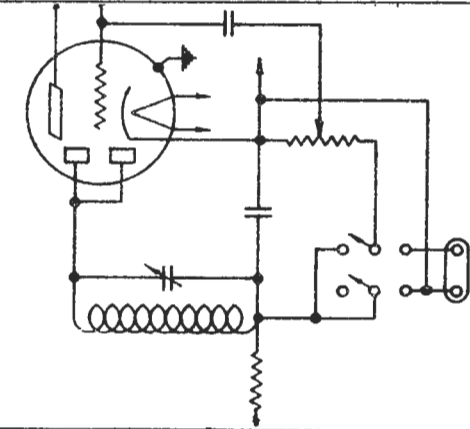
ALIGNMENT PROCEDURE

Operation	Connect Test Oscillator to—	Dummy Antenna	Set Test Osc. to	Band	Set Dial At	Adjust Trimmers	Purpose
1	1st Det. Grid	1/2 Mfd.	456	Br'dc't	600	ABCD	I. F. Alignment
2	Rec. Ant. Post	200 Mmfd.	1500	"	1500	F	Set Osc. to Scale
3	" " "	200 Mmfd.	1500	"	1500	GH	Algnt. of Ant. & De.
4	" " "	200 Mmfd.	600	"	600	J	Rock gang & adj. for max. output
5				"		FGH	Repeat 2 & 3
6	" " "	400 Ohms	18000	S.W.	18000	K	Set Osc. to Scale
7	" " "	400 Ohms	16500	S.W.	16500	L	Rock gang & adj. for max. output
8	" " "	400 Ohms	5500	Police	5500	N	Rock gang & adj. for max. output

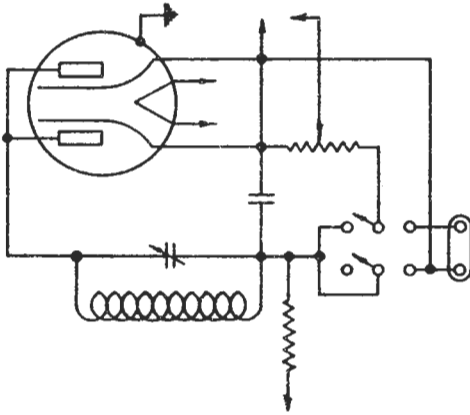
LOCATION OF TRIMMERS



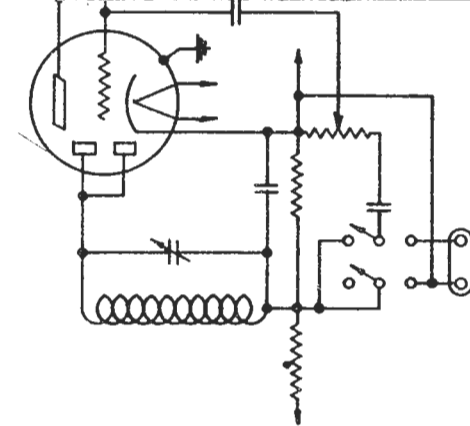
1938 PHONO CIRCUIT DATA



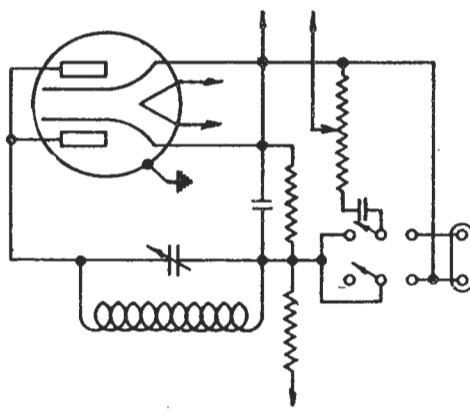
CIRCUIT CHANGES FOR PHONOGRAPH
INSTALLATIONS ON CHASSIS MODELS—
5109-5221-5221A-5221AT-5223-5224
5224T-5226-5226A-5227-5229



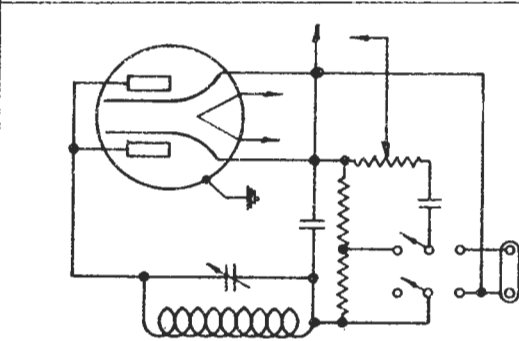
CIRCUIT CHANGES FOR PHONOGRAPH
INSTALLATIONS ON CHASSIS MODELS—
5038-5710-
5038A



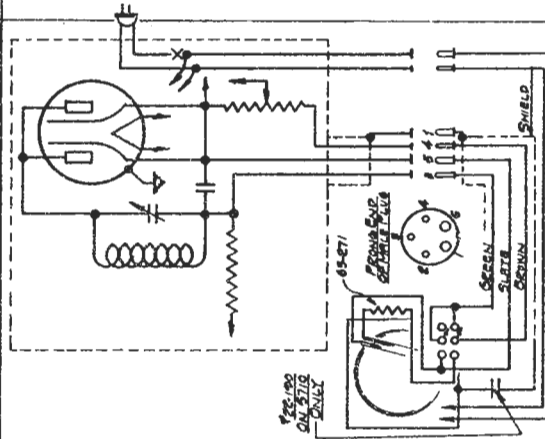
CIRCUIT CHANGES FOR PHONOGRAPH
INSTALLATIONS ON CHASSIS MODELS—
5408-5522-
5642-5711-5711T



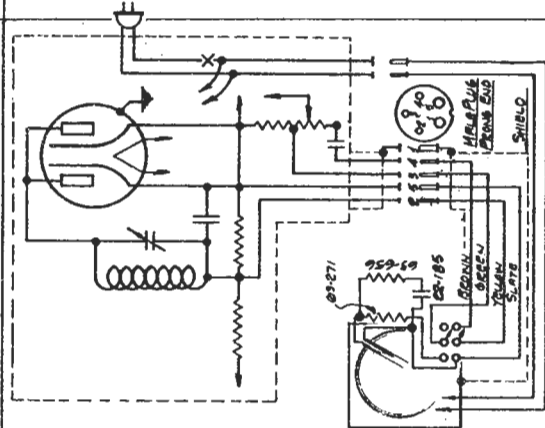
CIRCUIT CHANGES FOR PHONOGRAPH
INSTALLATIONS ON CHASSIS MODELS—
5644-5644A-5644AT-5702-5702A
5709 AT-5905-5905A-5905AT



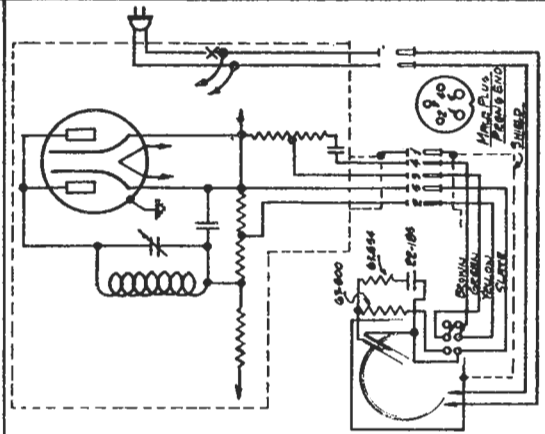
CIRCUIT CHANGES FOR PHONOGRAPH
INSTALLATIONS ON CHASSIS MODELS—
1204-1501
1204A-1501A



CHANGES IN CIRCUIT FOR RADIO-PHONO
COMBINATIONS ON CHASSIS MODELS—
5638-5638A-5710



CHANGES IN CIRCUIT FOR RADIO-PHONO
COMBINATIONS ON CHASSIS MODELS—
5905-5905A



CHANGES IN CIRCUIT FOR RADIO-PHONO
COMBINATIONS ON CHASSIS MODELS—
1204-1204A



www.StevenJohnson.com

**Antique Technolgy, Tube Radios and Test Equipment
Vintage Schematics, and Publications**

Steve's Antiques and Collectables